

## FEATURES

- Computer controlled
- Dual control modes: DC and Strobe
- Universal - suitable for any LED
- User friendly application software with GUI
- Capable of driving variable loads
- Full-featured SDK
- Up to 1,000mA output current
- High precision with 5mA current resolution

## APPLICATIONS

- Machine vision
- Displays
- Microscopy
- Semiconductor equipment
- Testing instruments
- Medical instruments
- Lighting

## PRODUCT DESCRIPTION

Mightex's High-Precision 12- and 16- Channel Computer-Controlled Universal LED Drivers are designed to drive a broad range of LED light sources. Each unit comes with a powerful PC-based software with a user-friendly GUI, which enables users to drive LEDs without the need to write any code. In addition, a full-featured SDK is provided, in order for users to write their own software and to integrate Mightex's LED drivers into their own systems. Furthermore, the drivers have a built-in protection feature, allowing users to limit LED driving current and voltage.



Each channel can be individually configured to work under one of the following two modes:

**Normal Mode** (or DC Mode): The output current is a constant, which can be adjusted (using software) from 0 mA to 1,000 mA, through the USB interface; and

**Strobe Mode:** A Pulse-Width-Modulated (or PWM) periodic strobe pattern is output from the channel, which can be turned on by a software trigger. The strobe pattern may last indefinitely or for a preset number of cycles. The frequency of the PWM strobe can be up to 500Hz. In addition, each channel can be individually DISABLED and ENABLED. No voltage or current is output from a DISABLED channel.

## ELECTRICAL SPECIFICATION

| Parameters  | SLC-CA12-U/-S                                  | SLC-CA16-U/-S | Unit    |
|---|--|---------------|---------|
| Number of Channels  | 12   | 16            |         |
| Power Supply Input Voltage ( $V_{dc}$ )                       | 9 ~ 24   |               | V       |
| Maximum Output Voltage ( $V_{max}$ ) <sup>1</sup>             | $V_{dc} - 3V$                                  |               | V       |
| Maximum Per Channel Output Current ( $I_{max}$ ) <sup>2</sup> | 1,000  |               | mA      |
| Maximum Per Channel Output Power ( $P_{max}$ ) <sup>3</sup>   | 10   |               | W       |
| Output Current Resolution                                     | 5  |               | mA      |
| Output Current Accuracy                                       | $\pm 10$ mA or $\pm 2.0\%$ whichever is larger |               | mA      |
| Output Current Repeatability                                  | $\pm 5$ mA or $\pm 1.0\%$ whichever is larger  |               | mA      |
| PWM Timing Resolution <sup>3</sup>                            | 100  |               | $\mu s$ |
| PWM Timing Minimum Step Size <sup>3</sup>                     | 1,000  |               | $\mu s$ |
| Interface   | USB (-U) or RS232 (-S)                         |               |         |

1. Maximum Output Voltage is 3V less than the Power Supply Input Voltage. For instance, with a Power Supply Input Voltage of  $V_{dc}=24V$ , the Maximum Output Voltage  $V_{max}$  would be  $(V_{dc} - 3V) = 21V$ ;

2. If the channel output voltage is  $V_d$  and the output current is  $I_d$ , they must simultaneously satisfy: (1)  $V_d \leq V_{max}$ ; (2)  $I_d \leq I_{max}$ ; and (3)  $V_d * I_d \leq P_{max}$ ; and

3. Each period of a PWM square wave comprises of ON time and OFF time, i.e. two (2) 'steps'. The minimum value for each step is 1,000 $\mu s$ , and the minimum increment is 100 $\mu s$ .

4. Proper heat dissipation should be provided to the LED controller in customer's system in order to prevent overheating, which may lead to self-shutdown by the LED controller for protection purpose. In addition, the total output current of all channels should not exceed the capacity of the power adapter.

## CHANNEL I/O PIN DEFINITION

Each Channel has two pins, defined as following:

| Label       | LED+      | LED-        |
|-------------|-----------|-------------|
| Description | LED Anode | LED Cathode |

# Universal 12- and 16- Channel Computer-Controlled LED Drivers with 5mA Current Resolution

(Part Number: SLC-CA12-U, SLC-CA12-S, SLC-CA16-U, SLC-CA16-S)

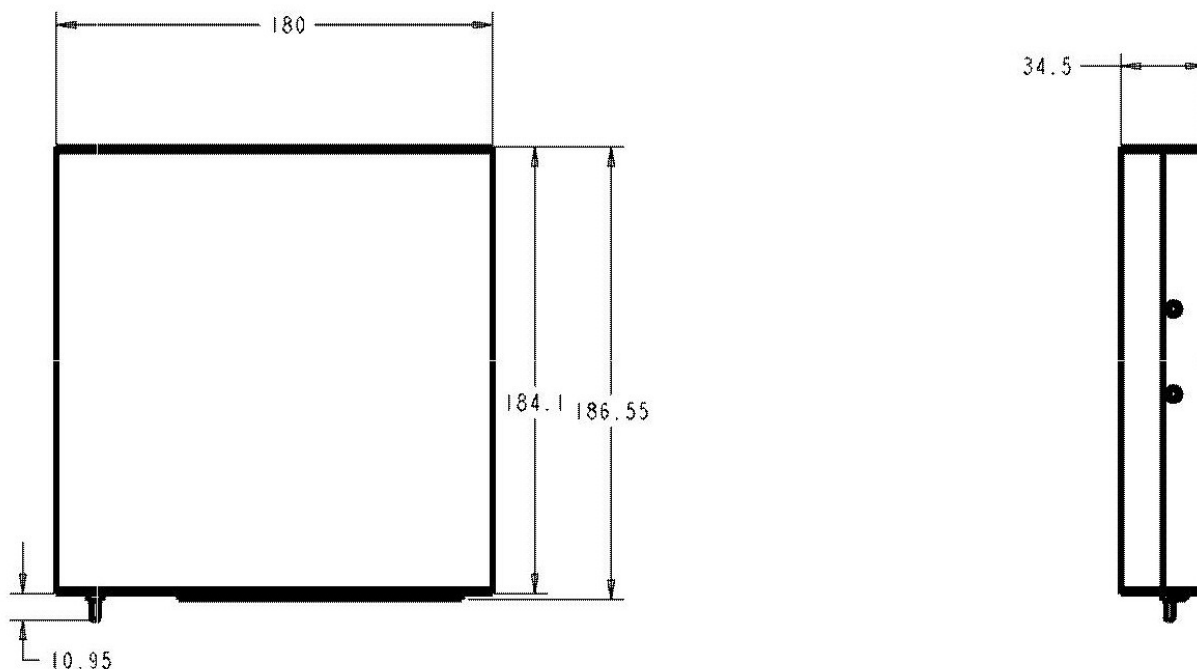
## OPERATION CONDITION

|                                   |              |
|-----------------------------------|--------------|
| Operating Temperature Range       | 0°C ~ 45°C   |
| Storage Temperature Range         | -25°C ~ 85°C |
| Relative Humidity, Non-condensing | 5% ~ 95%     |

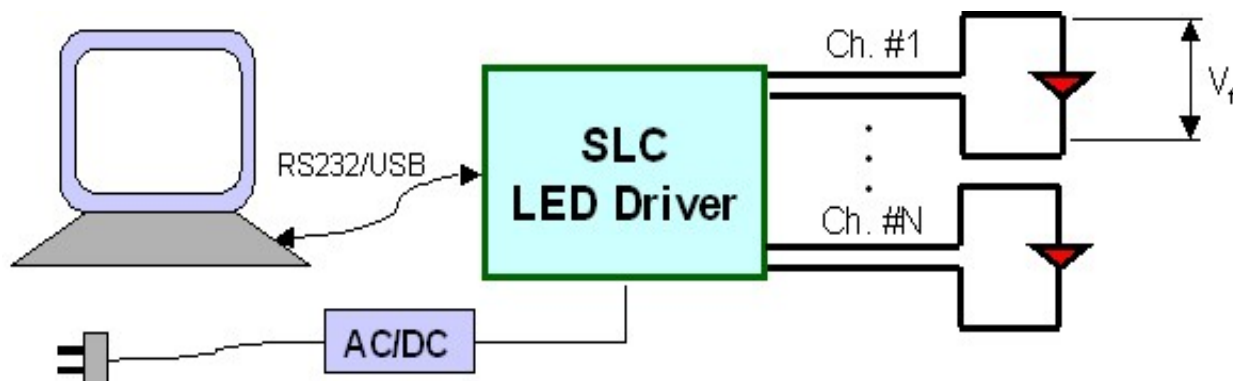
## DIMENSION AND WEIGHT

|           |                                     |
|-----------|-------------------------------------|
| Dimension | 180.5mm(L) x 180mm (W) x 34.5mm (H) |
| Weight    | 400g                                |

## INSTALLATION DRAWING



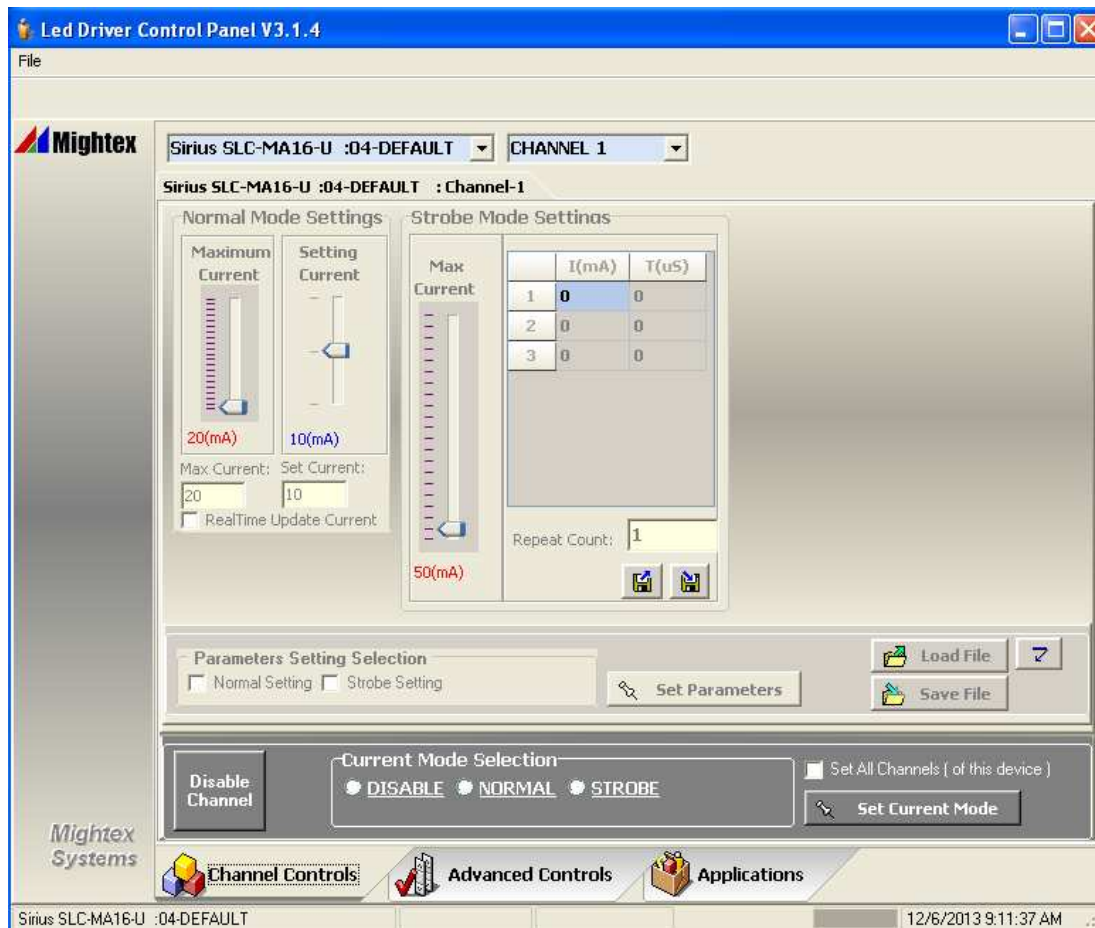
## APPLICATION DIAGRAM



# Universal 12- and 16- Channel Computer-Controlled LED Drivers with 5mA Current Resolution

(Part Number: SLC-CA12-U, SLC-CA12-S, SLC-CA16-U, SLC-CA16-S)

## EXAMPLE OF GRAPHICAL USER INTERFACE



Singapore Main Office  
Telephone: +65 6996 0391  
Email: [info@simtrum.com](mailto:info@simtrum.com)

China Main Office  
Telephone: +86 15000853620  
Email: [sales@simtrum.cn](mailto:sales@simtrum.cn)

**SIMTRUM**  
[www.simtrum.com](http://www.simtrum.com)